

**High-efficiency photovoltaic module using silicon nitride multicrystalline silicon cells.**
**Performance**

Rated power ( $P_{max}$ )	150W
Power tolerance	± 5%
Nominal voltage	24V
Limited Warranty <sub>1</sub>	25 years

**Configuration**

<b>B</b> BP 3150B	Bronze frame with output cables and polarized Multicontact (MC) connectors
<b>S</b> BP 3150S	Clear universal frame with output cables and polarized Multicontact (MC) connectors
<b>L</b> BP 3160L	Unframed laminate version of BP 3150S
<b>U</b> BP 3160U	Clear universal frame with standard junction box

**Electrical Characteristics<sup>2</sup>**
**BP 3150**

Maximum power ( $P_{max}$ ) <sup>3</sup>	150W
Voltage at Pmax ( $V_{mp}$ )	34.5V
Current at Pmax ( $I_{mp}$ )	4.35A
Warranted minimum $P_{max}$	142.5W
Short-circuit current ( $I_{sc}$ )	4.75A
Open-circuit voltage ( $V_{oc}$ )	43.5V
Temperature coefficient of $I_{sc}$	(0.065±0.015)%/ °C
Temperature coefficient of $V_{oc}$	-(160±20)mV/°C
Temperature coefficient of power	-(0.5±0.05)%/ °C
NOCT (Air 20°C; Sun 0.8kW/m <sup>2</sup> ; wind 1m/s)	47±2°C
Maximum series fuse rating	15A (S, L); 20A (U)
Maximum system voltage	600V (U.S. NEC & IEC 61215 rating) 1000V (TÜV Rheinland rating)


**Mechanical Characteristics**

Dimensions	<b>B,S,U</b>	Length: 1593mm (62.8")	Width: 790mm (31.1")	Depth: 50mm (1.97")
	<b>L</b>	Length: 1580mm (62.2")	Width: 783mm (30.8")	Depth: 19mm (0.75")
Weight	<b>B,S,U</b>	15.0 kg (33.1 pounds)		
	<b>L</b>	12.4 kg (27.3 pounds)		
Solar Cells	<b>B,S,L,U</b>	72 cells (125mm x 125mm) in a 6x12 matrix connected in series		
Output Cables	<b>B,S,L</b>	RHW AWG# 12 (4mm <sup>2</sup> ) cable with polarized weatherproof DC rated Multicontact connectors; asymmetrical lengths - 1250mm (-) and 800mm (+)		
Junction Box	<b>U</b>	Standard junction box with 6-terminal connection block; IP 54, accepts PG 13.5, M20, ½ inch conduit, or cable fittings accepting 6-12mm diameter cable. Terminals accept 2.5 to 10mm <sup>2</sup> (8 to 14 AWG) wire.		
Diodes	<b>B,S,L,U</b>	Three 9A, 45V Schottky by-pass diodes included		
Construction	<b>B,S,L,U</b>	Front: High-transmission 3mm (1/8 <sup>th</sup> inch) tempered glass; Back: Tedlar; Encapsulant: EVA		
Frame	<b>B,S,U</b>	Anodized aluminum alloy type 6063T6 Universal frame; Color: bronze (B); silver (S,U)		

1. Warranty: Power output for 25 years. Freedom from defects in materials and workmanship for 5 years. See our website or your local representative for full terms of these warranties.
2. These data represent the performance of typical BP 3150 products, and are based on measurements made in accordance with ASTM E1036 corrected to SRC (STC.)
3. During the stabilization process that occurs during the first few months of deployment, module power may decrease by up to 3% from typical  $P_{max}$ .

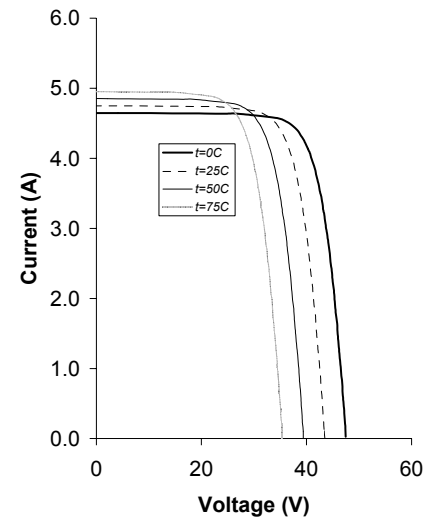
## Quality and Safety

<b>ESTI</b>	Module power measurements calibrated to World Radiometric Reference through ESTI (European Solar Test Installation at Ispra, Italy)
<b>CE</b>	Manufactured in ISO 9001-certified factories; conforms to European Community Directives 89/33/EEC, 73/23/EEC, 93/68/EEC; certified to IEC 61215
<b>TUV</b>	Framed modules certified by TÜV Rheinland as Safety Class II (IEC 60364) equipment for use in systems up to 1000 VDC
<b>UL</b>	Listed by Underwriter's Laboratories for electrical and fire safety (Class C fire rating)
<b>FM</b>	Approved by Factory Mutual Research in NEC Class 1, Division 2, Groups C & D hazardous locations (U)

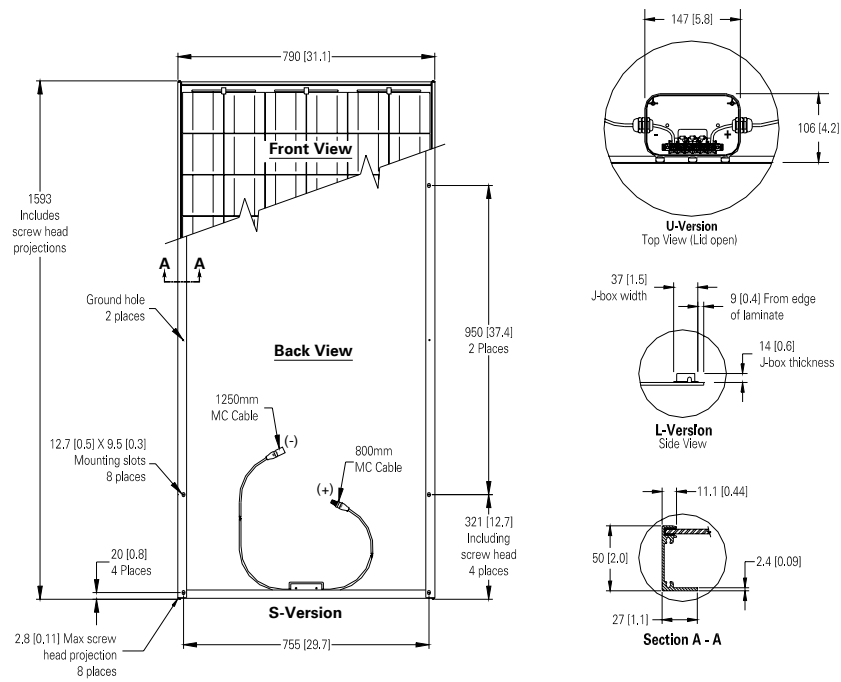
## Qualification Test Parameters

Temperature cycling range	-40°C to +85°C (-40°F to 185°F)
Humidity freeze, damp heat	85% RH
Static load front and back (e.g. wind)	50psf (2400 pascals)
Front loading (e.g. snow)	113psf (5400 pascals)
Hailstone impact	25mm (1 inch) at 23 m/s (52mph)

**BP 3150 I-V Curves**



Dimensions in brackets are in inches. Unbracketed dimensions are in millimeters. Overall tolerances  $\pm 3\text{mm}$  (1/8")



**Included with each module:** self-tapping grounding screws, instruction sheet, and warranty document.

**Note:** This publication summarizes product warranty and specifications, which are subject to change without notice.

